

Macro Optoelectronic Co., Limited

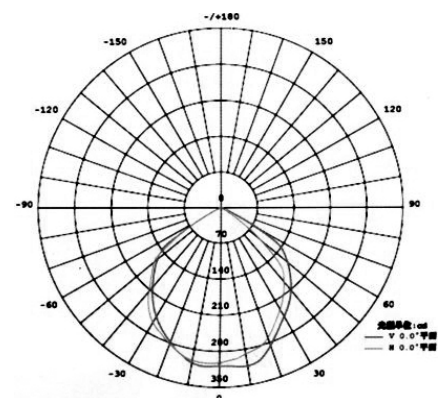
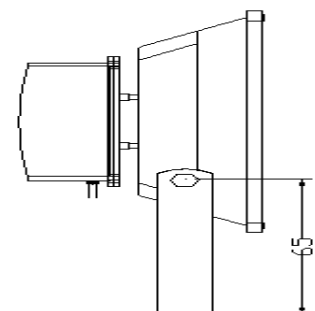
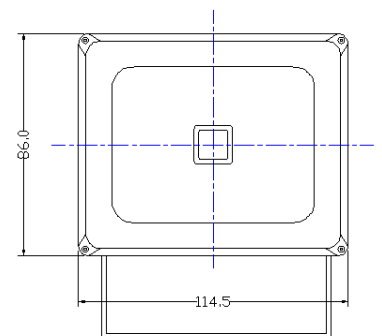
Add: Hans Industrial Park, Chongqing Road, Fuyong, Bao'an District, Shenzhen City, Guangdong Province, China
 Tel: +86-755-36936875, Fax: +86-755-23207323, Email: info@macroLEDlight.com

10W LED Flood Light

Model: MFL-115-10W-B

Main Technical Parameters:

Input Voltage	AC 85-265V
Frequency Range	50-60Hz
Total Harmonic Distortion	≤9%
Power Factor	>0.98
Working Voltage	DC 30-36V
LED Qty	1 PC
LED Consumption	10W
System Consumption	11.8W
Lamp Efficiency	>91%
LED Initial Flux	Warm white: 855LM
	Pure White: 953LM
	Cool White: 930LM
Average Illuminance	Height=1M: >70 LUX
	Height=2M: >19.2 LUX
	Height=3M: >9.8 LUX
Illuminance Area	Height=1M: 3.3*3.3M
	Height=2M: 6.5*6.5M
	Height=3M: 9.8*9.8M
Illuminance Uniformity	>0.7
Color Temperature	Warm White: 2700-3900K
	Pure White: 3900-6000K
	Cool White: 6000-7000K
Color Index	Warm White: >78Ra
	Pure White& Cool white: >85Ra
Light Distribution	Symmetrical/Rectangle
Light Design	LED + lens second light distribution
Junction Temperature	≤60°C
Work Environment	-40°C~+55°C
Storage Environment	-25°C~+65°C (25°C is the best)
Ingress Protection	IP65
Life-Span	>50000 hours
The Color of the Lamp Shell	Grey, Black
Certification	CE, RoHS
Net/Gross Weight	0.60KG / 0.62KG
Package Size	13*10*11CM

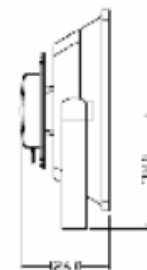
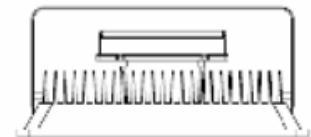
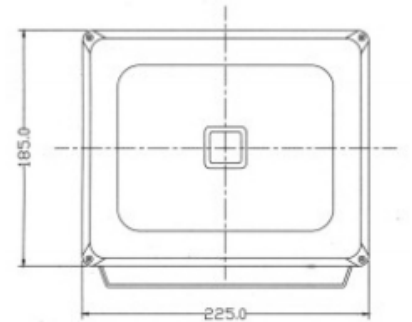
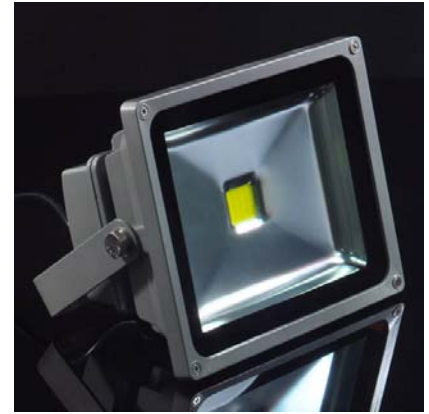


30W LED Flood Light

Model: MFL-225-30W-B

Main Technical Parameters:

Input Voltage	AC 85-265V
Frequency Range	50-60Hz
Total Harmonic Distortion	≤9%
Power Factor	>0.98
Working Voltage	DC 30-36V
LED Qty	1 PC
LED Consumption	30W
System Consumption	35W
Lamp Efficiency	>90%
LED Initial Flux	Warm white: 2559LM
	Pure White: 2860LM
	Cool White: 2790LM
Average Illuminance	Height=6M: >15 LUX
	Height=8M: >9 LUX
	Height=10M: >7 LUX
Illuminance Area	Height=6M: 18*10M rectangle
	Height=8M: 24*13M rectangle
	Height=10M: 32*17M rectangle
Illuminance Uniformity	>0.6
Color Temperature	Warm White: 2700-3900K
	Pure White: 3900-6000K
	Cool White: 6000-7000K
Color Index	Warm White: >78Ra
	Pure White& Cool white: >85Ra
Light Distribution	Symmetrical/Rectangle
Light Design	LED + lens second light distribution
Junction Temperature	≤70℃
Work Enviroment	-40℃ -+55℃
Storage Enviroment	-25℃ -+65℃ (25℃ is the best)
Ingress Protection	IP65
Life-Span	>50000 hours
The Color of the Lamp Shell	Grey, Black
Certification	CE, RoHS
Net / Gross Weight	2.4KG / 2.6KG
Package Size	27.5*16.5*23.5CM

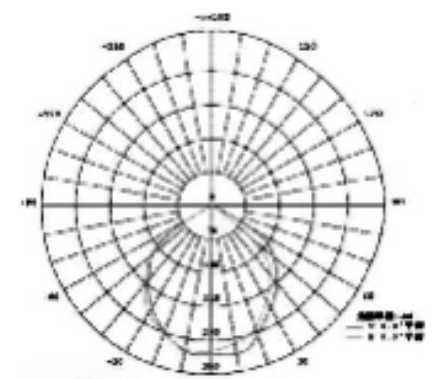
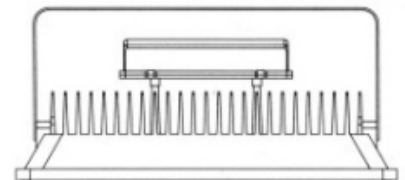
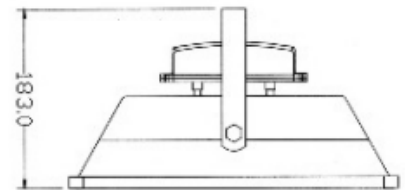
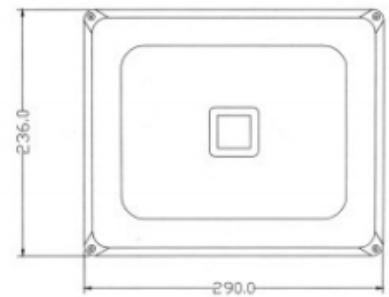
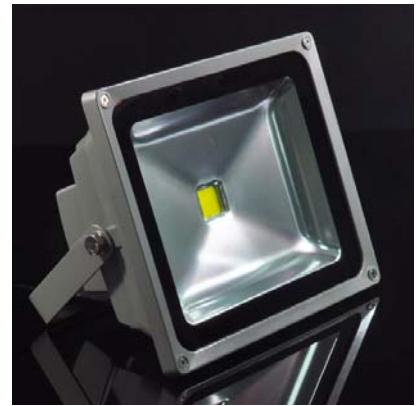


50W LED Flood Light

Model: MFL-290-50W-B

Main Technical Parameters:

Input Voltage	AC 85-265V
Frequency Range	50-60Hz
Total Harmonic Distortion	≤9%
Power Factor	>0.98
Working Voltage	DC 30-36V
LED Qty	1 PC
LED Consumption	50W
System Consumption	56W
Lamp Efficiency	>90%
LED Initial Flux	Warm white: 4255LM
	Pure White: 4750LM
	Cool White: 4650LM
Average Illuminance	Height=6M: >23LUX
	Height=8M: >13 LUX
	Height=10M: >10 LUX
Illuminance Area	Height=6M: 23*12M rectangle
	Height=8M: 31*17M rectangle
	Height=10M: 36*19M rectangle
Illuminance Uniformity	>0.6
Color Temperature	Warm White: 2700-3900K
	Pure White: 3900-6000K
	Cool White: 6000-7000K
Color Index	Warm White: >78Ra
	Pure White& Cool white: >85Ra
Light Distribution	Symmetrical/Rectangle
Light Design	LED + lens second light distribution
Junction Temperature	≤70℃
Work Enviroment	-40℃-+55℃
Storage Enviroment	-25℃-+65℃(25℃ is the best)
Ingress Protection	IP65
Life-Span	>50000 hours
The Color of the Lamp Shell	Grey, Black
Certifications	CE, RoHS
Net / Gross Weight	4.2KG / 4.5KG
Package Size(4 PCS)	65.5*35.0*28.0CM

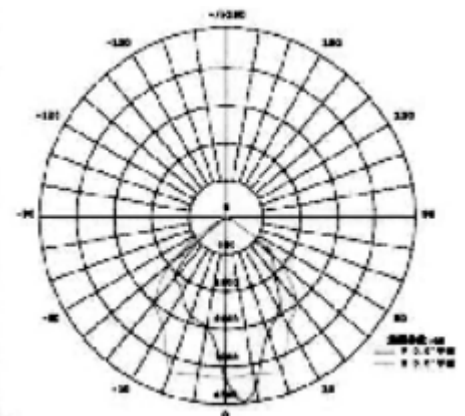
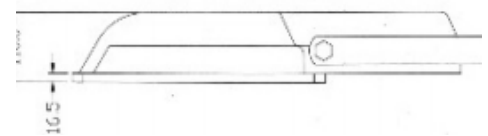
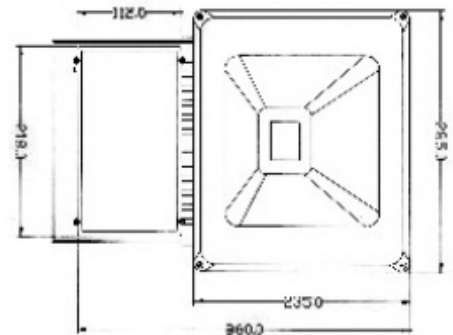


LED Flood Light

Model: MFL-360-80W-B

Main Technical Parameters:

Input Voltage	AC 85-265V
Frequency Range	50-60Hz
Total Harmonic Distortion	≤9%
Power Factor	>0.98
Working Voltage	DC 30-36V
LED	1 PC
LED Consumption	80W
System Consumption	88W
Lamp Efficiency	>90%
LED Initial Flux	Warm white: 6820LM
	Pure White: 7610LM
	Cool White: 7440LM
Average Illuminance	Height=4M: >108LUX
	Height=6M: >48LUX
	Height=8M: >27 LUX
Illuminance Area	Height=4M: 7*7M rectangle
	Height=6M: 11*11M rectangle
	Height=8M: 14*14M rectangle
Illuminance Uniformity	>0.6
Color Temperature	Warm White: 2700-3900K
	Pure White: 3900-6000K
	Cool White: 6000-7000K
Color Index	Warm White: >78Ra
	Pure White& Cool white: >85Ra
Light Distribution	Symmetrical/Rectangle
Light Design	LED + lens second light distribution
Junction Temperature	≤70℃
Work Enviroment	-40℃-+55℃
Storage Enviroment	-25℃-+65℃(25℃ is the best)
Ingress Protection	IP65
Life-Span	>50000 hours
The Color of the Lamp Shell	Grey, Black
Certification	CE, RoHS
Net / Gross Weight	6.0KG / 6.5KG
Package Size(2 PCS)	44.0*30.0*33.0CM



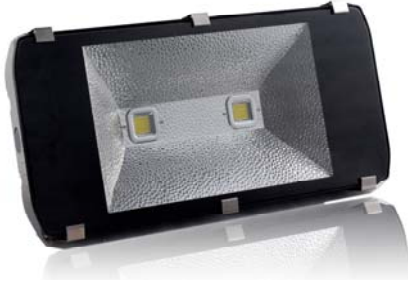
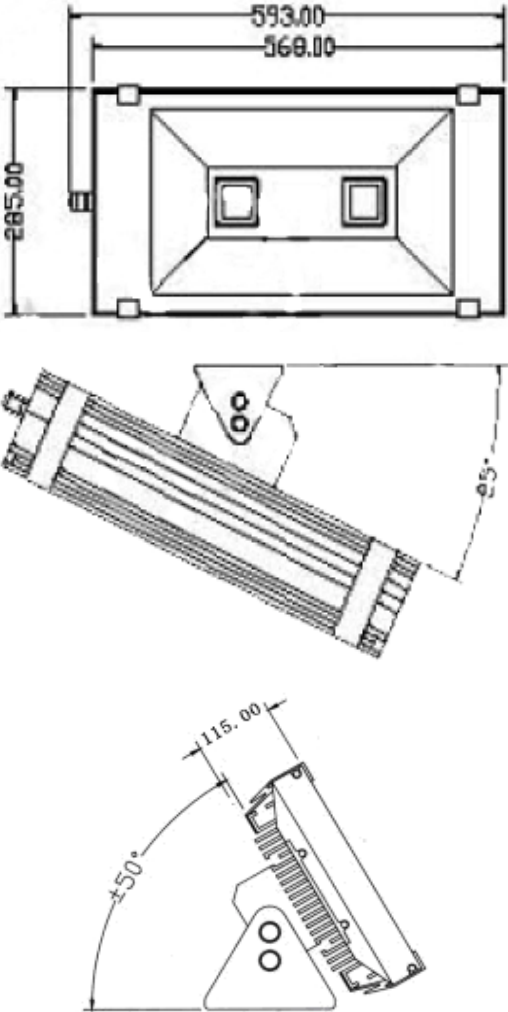
Macro Optoelectronic Co., Limited

Add: Hans Industrial Park, Chongqing Road, Fuyong, Bao'an District, Shenzhen City, Guangdong Province, China
 Tel: +86-755-36936875, Fax: +86-755-23207323, Email: info@macroLEDlight.com

100W LED Flood Light / LED Tunnel Light

Model: MFL-600-100W-B

Main Technical Parameters:

Input voltage	AC 85-265V		
Frequency	50-60Hz		
Total harmonic distortion	≤9%		
Power factor	>0.98		
Voltage for the LED	DC 30-36V		
LED Qty	2 PCS		
Total power of the LED	100W		
Total power for the light	112W		
LED light effect	90-100LM/W		
Initial lumens	Warm white 8505LM		<p>Size and Parameters</p> 
	Pure white 9310LM		
	Cool white 9510LM		
Light efficiency	Above 90%		
Average illuminance	Height:6M	36LUX	
	Height:8M	22.5LUX	
	Height:10M	15LUX	
Light spot	Height:6M	11*11M rectangle	
	Height:8M	15*15M rectangle	
	Height:10M	18*18M rectangle	
Evenness degree	>0.6		
Related color temperature	WW	2700K-3900K	
	PW	3900K-6000K	
	CW	6000K-7000K	
Color rendering index	WW	Ra>78	
	PW, CW	Ra>85	
Light distribution curve	Symmetric expression / rectangle light spot		
Light design	LED + reflector secondary light distribution		
Warming node of the LED	≤70℃		
Operation temperature	-30℃-+55℃		
Storage temperature	-25℃-+65℃		

Grade of protection		IP65	Light Distribution Curve
Life-span of the LED		> 50000 hours	
Connecting wire for the driver	Brown	L live line	
	Blue	N neutral line	
	Yellow / Green	G earth line	
The color of the lamp shell		Grey or Black	
Certifications		CE, RoHS	
Item NW. / GW.		12.6KG / 13.8KG	
Package size (1 PC)		66*35.5*25.5CM	

Using Directions :

Please handle with care when storing up or carrying because of the glass fittings. Strain stress should be avoided.

1. Fix the light on the pole or the mounting surface by screwing the holes($\phi 10\text{mm}$) of the installing support.
2. After the LED flood light is fastened, the screws 1A and 1B can be loosen, then change the angle of the installing support so that the installation angle of the light can be adjusted.
3. Keep the LED flood light in the suitable operation and storage temperature.
4. The LED flood light must be fully closed when being fixed to avoid electricity interface between the wires.
5. The corresponding measures could be taken for waterproof and to avoid leak when the external power supply is used.
6. All correlative laws should be observed in use.
7. LED flood lights should be fixed by the professional electrician, with the three-core(0.75MM^2) mode of connection: red wire(live line), blue wire(neutral) and the earth wire.

Maintenance Instruction :

1. Please make sure the power has already been cut off before maintenance.
2. Clean the glass of the LED flood light regularly to keep the good transmission of the light.
3. Clean the cover of the LED flood light regularly to ensure good heat dissipation.
4. Water and caustic liquor should be avoided when cleaning. The dried rag will be the ideal option.
5. When changing the power supply, you could open the rear cover by screw and then get out the power supply.
AC power is for the three-core wire: red wire correspond with "L", blue wire correspond with "N", yellow-green or yellow wire correspond with "G" of the power.
DC power: the red wire correspond with anode of the power, the white wire correspond with the cathode of the power. In addition, the anode and the cathode must not be connected inversely.

Guarantee and After-sale service :

There are two-year guarantee for the inserted driver of the light and three-year guarantee for the LED light source on the condition that the light is used under the normal environment and suitable maintenance and storage. Any abnormal use is beyond guarantee. We provide the repair, exchange(the components and parts)or replacement by new lights. When exceeding the guarantee time, appropriate cost for the material and labor shall be charged.

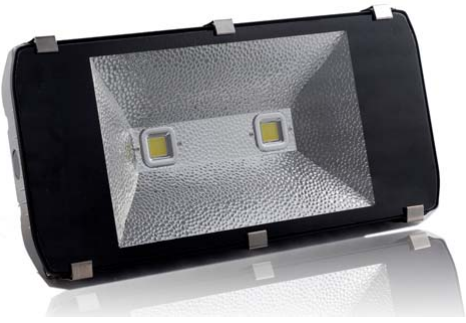
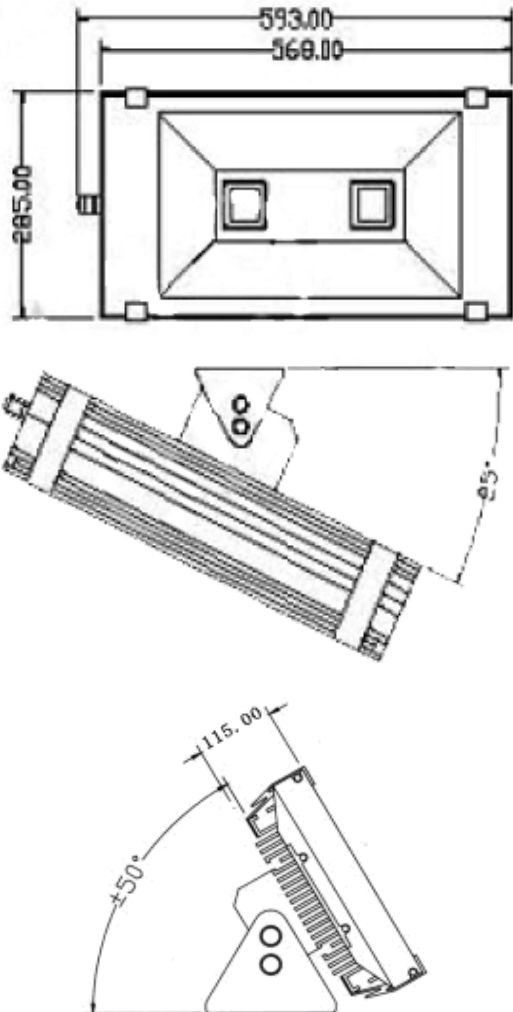
Macro Optoelectronic Co., Limited

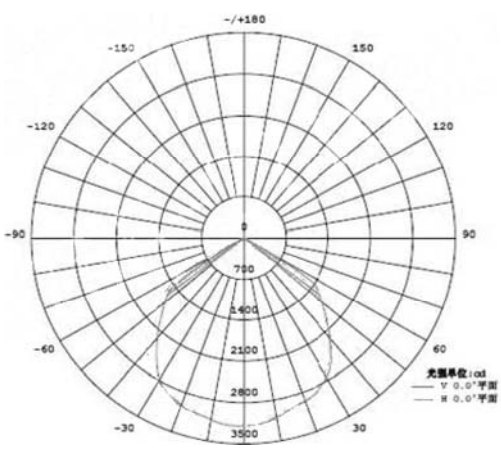
Add: Hans Industrial Park, Chongqing Road, Fuyong, Bao'an District, Shenzhen City, Guangdong Province, China
 Tel: +86-755-36936875, Fax: +86-755-23207323, Email: info@macroLEDlight.com

140W LED Flood Light / LED Tunnel Light

Model: MFL-600-140W-B

Main Technical Parameters:

Input voltage	AC 85-265V		
Frequency	50-60Hz		
Total harmonic distortion	≤9%		
Power factor	>0.98		
Voltage for the LED	DC 30-36V		
LED Qty	2 PCS		
Total power of the LED	140W		
Total power for the light	156W		
LED light effect	90-100LM/W		
Initial lumens	Warm white	11900LM	<p>Size and Parameters</p> 
	Pure white	13020LM	
	Cool white	13300LM	
Light efficiency	Above 90%		
Average illuminance	Height:6M	55LUX	
	Height:8M	32LUX	
	Height:10M	23LUX	
Light spot	Height:6M	11*11M rectangle	
	Height:8M	15*15M rectangle	
	Height:10M	18*18M rectangle	
Evenness degree	>0.6		
Related color temperature	WW	2700K-3900K	
	PW	3900K-6000K	
	CW	6000K-7000K	
Color rendering index	WW	Ra>78	
	PW, CW	Ra>85	
Light distribution curve	Symmetric expression / rectangle light spot		
Light design	LED + reflector secondary light distribution		
Warming node of the LED	≤70°C		
Operation temperature	-30°C+55°C		
Storage temperature	-25°C+65		

Grade of protection		IP65	Light Distribution Curve 
Life-span of the LED		> 50000 hours	
Connecting wire for the driver	Brown	L live line	
	Blue	N neutral line	
	Yellow / Green	G earth line	
The color of the lamp shell		Grey or Black	
Certifications		CE, RoHS	
Item NW. / GW.		12.6KG / 13.8KG	
Package size (1 PC)		66*35.5*25.5CM	

Using Directions :

Please handle with care when storing up or carrying because of the glass fittings. Strain stress should be avoided.

1. Fix the light on the pole or the mounting surface by screwing the holes($\phi 10\text{mm}$) of the installing support.
2. After the LED flood light is fastened, the screws 1A and 1B can be loosen, then change the angle of the installing support so that the installation angle of the light can be adjusted.
3. Keep the LED flood light in the suitable operation and storage temperature.
4. The LED flood light must be fully closed when being fixed to avoid electricity interface between the wires.
5. The corresponding measures could be taken for waterproof and to avoid leak when the external power supply is used.
6. All correlative laws should be observed in use.
7. LED flood lights should be fixed by the professional electrician, with the three-core(0.75MM^2) mode of connection: red wire(live line), blue wire(neutral) and the earth wire.

Maintenance Instruction :

1. Please make sure the power has already been cut off before maintenance.
2. Clean the glass of the LED flood light regularly to keep the good transmission of the light.
3. Clean the cover of the LED flood light regularly to ensure good heat dissipation.
4. Water and caustic liquor should be avoided when cleaning. The dried rag will be the ideal option.
5. When changing the power supply, you could open the rear cover by screw and then get out the power supply.
AC power is for the three-core wire: red wire correspond with "L", blue wire correspond with "N", yellow-green or yellow wire correspond with "G" of the power.
DC power: the red wire correspond with anode of the power, the white wire correspond with the cathode of the power. In addition, the anode and the cathode must not be connected inversely.

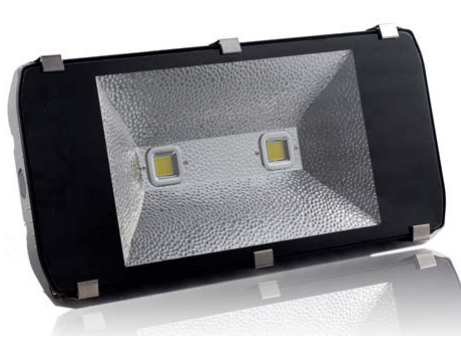
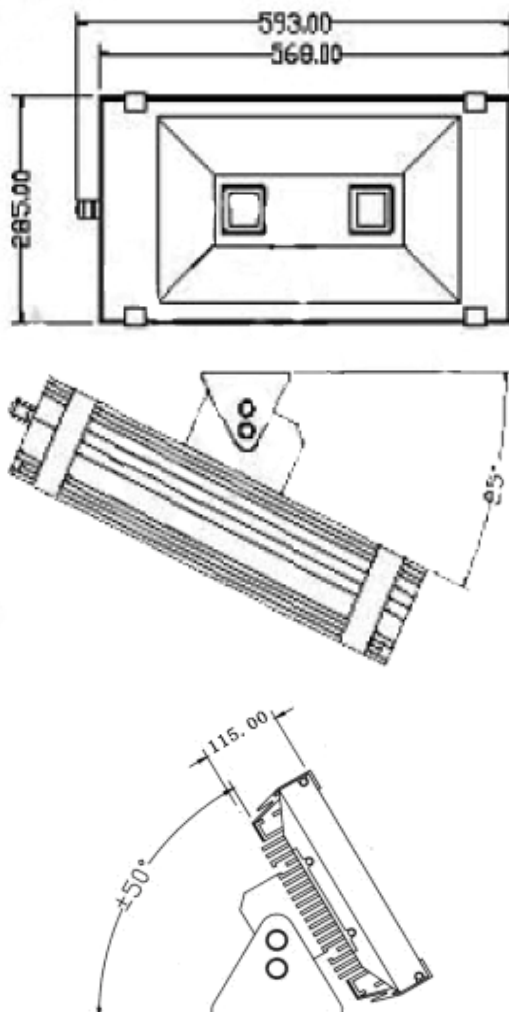
Guarantee and After-sale service :

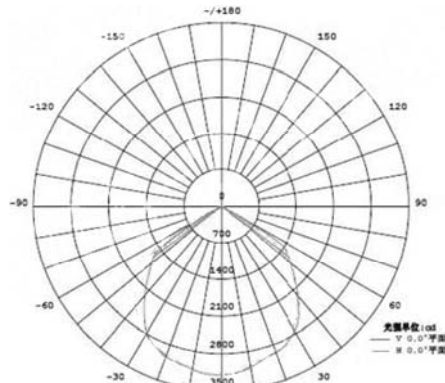
There are two-year guarantee for the inserted driver of the light and three-year guarantee for the LED light source on the condition that the light is used under the normal environment and suitable maintenance and storage. Any abnormal use is beyond guarantee. We provide the repair, exchange(the components and parts)or replacement by new lights. When exceeding the guarantee time, appropriate cost for the material and labor shall be charged.

160W LED Flood Light / LED Tunnel Light

Model: MFL-600-160W-B

Main Technical Parameters:

Input voltage	AC 85-265V		
Frequency	50-60Hz		
Total harmonic distortion	≤9%		
Power factor	>0.98		
Voltage for the LED	DC 30-36V		
LED Qty	2 PCS		
Total power of the LED	160W		
Total power for the light	176W		
LED light effect	90-100LM/W		
Initial lumens	Warm white 13610LM Pure white 14720LM Cool white 15040LM		
Light efficiency	Above 90%		
Average illuminance	Height:6M	62LUX	
	Height:8M	36LUX	
	Height:10M	26LUX	
Light spot	Height:6M	11*11M rectangle	
	Height:8M	15*15M rectangle	
	Height:10M	18*18M rectangle	
Evenness degree	>0.6		
Related color temperature	WW	2700K-3900K	
	PW	3900K-6000K	
	CW	6000K-7000K	
Color rendering index	WW	Ra>78	
	PW, CW	Ra>85	
Light distribution curve	Symmetric expression / rectangle light spot		
Light design	LED + reflector secondary light distribution		
Warming node of the LED	≤70℃		
Operation temperature	-30℃-+55℃		
Storage temperature	-25℃-+65℃		

Grade of protection	IP65	Light Distribution Curve 	
Life-span of the LED	> 50000 hours		
Connecting wire for the driver	Brown		L live line
	Blue		N neutral line
	Yellow / Green		G earth line
The color of the lamp shell	Grey or Black		
Certifications	CE, RoHS		
Item NW. / GW.	12.6KG / 13.8KG		
Package size (1 PC)	66*35.5*25.5CM		

Using Directions :

Please handle with care when storing up or carrying because of the glass fittings. Strain stress should be avoided.

1. Fix the light on the pole or the mounting surface by screwing the holes($\phi 10\text{mm}$) of the installing support.
2. After the LED flood light is fastened, the screws 1A and 1B can be loosen, then change the angle of the installing support so that the installation angle of the light can be adjusted.
3. Keep the LED flood light in the suitable operation and storage temperature.
4. The LED flood light must be fully closed when being fixed to avoid electricity interface between the wires.
5. The corresponding measures could be taken for waterproof and to avoid leak when the external power supply is used.
6. All correlative laws should be observed in use.
7. LED flood lights should be fixed by the professional electrician, with the three-core(0.75MM^2) mode of connection: red wire(live line), blue wire(neutral) and the earth wire.

Maintenance Instruction :

1. Please make sure the power has already been cut off before maintenance.
2. Clean the glass of the LED flood light regularly to keep the good transmission of the light.
3. Clean the cover of the LED flood light regularly to ensure good heat dissipation.
4. Water and caustic liquor should be avoided when cleaning. The dried rag will be the ideal option.
5. When changing the power supply, you could open the rear cover by screw and then get out the power supply.
AC power is for the three-core wire: red wire correspond with "L", blue wire correspond with "N", yellow-green or yellow wire correspond with "G" of the power.
DC power: the red wire correspond with anode of the power, the white wire correspond with the cathode of the power. In addition, the anode and the cathode must not be connected inversely.

Guarantee and After-sale service :

There are two-year guarantee for the inserted driver of the light and three-year guarantee for the LED light source on the condition that the light is used under the normal environment and suitable maintenance and storage. Any abnormal use is beyond guarantee. We provide the repair, exchange(the components and parts)or replacement by new lights. When exceeding the guarantee time, appropriate cost for the material and labor shall be charged.


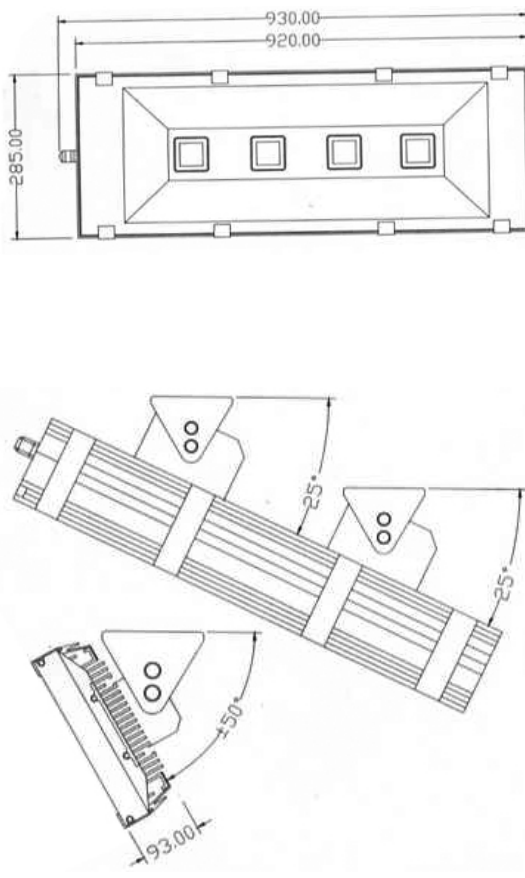
Macro Optoelectronic Co., Limited

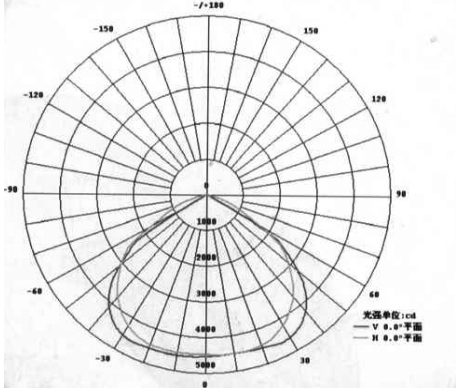
Add: Hans Industrial Park, Chongqing Road, Fuyong, Bao'an District, Shenzhen City, Guangdong Province, China
 Tel: +86-755-36936875, Fax: +86-755-23207323, Email: info@macroLEDlight.com

200W LED Flood Light / LED Tunnel Light

Model: MFL-920-200W-B

Main Technical Parameters:

Input voltage	AC 85-265V		
Frequency	50-60Hz		
Total harmonic distortion	≤9%		
Power factor	>0.98		
Voltage for the LED	DC 30-36V		
LED Qty	4 PCS		
Total power of the LED	200W		
Total power for the light	215W		
LED light effect	90-100LM/W		
Initial lumens	Warm white 18560LM Pure white 18920LM Cool white 19110LM		Size and Parameters 
Light efficiency	Above 93%		
Average luminance	Height:8M	207LUX	
	Height:10M	155LUX	
	Height:12M	106LUX	
Light spot	Height:8M	11*11M rectangle	
	Height:10M	14*14M rectangle	
	Height:12M	18*18M rectangle	
Evenness degree	>0.6		
Related color temperature	WW	2700K-3900K	
	PW	3900K-6000K	
	CW	6000K-7000K	
Color rendering index	WW	Ra>78	
	PW, CW	Ra>85	
Light distribution curve	Similar the batwing / rectangle light spot		
Light design	LED + reflector secondary light distribution		
Warming node of the LED	≤75°C		
Operation temperature	-30°C+55°C		
Storage temperature	-25°C+65°C		

Grade of protection	IP65	Light Distribution Curve 	
Life-span of the LED	> 50000 hours		
Connecting wire for the driver	Brown		L live line
	Blue		N neutral line
	Yellow / Green		G earth line
The color of the lamp shell	Grey or Black		
Certifications	CE, RoHS		
Item NW. / GW.	18.1KG / 21.8KG		
Package size (1 PC)	101.5*25.5*33.5CM		

Using Directions :

Please handle with care when storing up or carrying because of the glass fittings. Strain stress should be avoided.

1. Fix the light on the pole or the mounting surface by screwing the holes($\phi 10\text{mm}$) of the installing support.
2. After the LED flood light is fastened, the screws 1A and 1B can be loosen, then change the angle of the installing support so that the installation angle of the light can be adjusted.
3. Keep the LED flood light in the suitable operation and storage temperature.
4. The LED flood light must be fully closed when being fixed to avoid electricity interface between the wires.
5. The corresponding measures could be taken for waterproof and to avoid leak when the external power supply is used.
6. All correlative laws should be observed in use.
7. LED flood lights should be fixed by the professional electrician, with the three-core(0.75MM^2) mode of connection: red wire(live line), blue wire(neutral) and the earth wire.

Maintenance Instruction :

1. Please make sure the power has already been cut off before maintenance.
2. Clean the glass of the LED flood light regularly to keep the good transmission of the light.
3. Clean the cover of the LED flood light regularly to ensure good heat dissipation.
4. Water and caustic liquor should be avoided when cleaning. The dried rag will be the ideal option.
5. When changing the power supply, you could open the rear cover by screw and then get out the power supply.
AC power is for the three-core wire: red wire correspond with "L", blue wire correspond with "N", yellow-green or yellow wire correspond with "G" of the power.
DC power: the red wire correspond with anode of the power, the white wire correspond with the cathode of the power. In addition, the anode and the cathode must not be connected inversely.

Guarantee and After-sale service :

There are two-year guarantee for the inserted driver of the light and three-year guarantee for the LED light source on the condition that the light is used under the normal environment and suitable maintenance and storage. Any abnormal use is beyond guarantee. We provide the repair, exchange(the components and parts)or replacement by new lights. When exceeding the guarantee time, appropriate cost for the material and labor shall be charged.